

Feedthrough Connector Modules

Feedthrough modules provide low-cost and compact field wiring screw termination solutions for quickly connecting ZIPLink cables with PLCs. Modules mount on 35 mm DIN rail part #DN-R35S1.



ZL-RTB20



ZL-RTB40



ZL-RTB50

Specifications												
Feedthrough Modules	Part #	Pcs/Pkg	Price/Pkg	Weight (lbs)	Part #	Pcs/Pkg	Part #	Weight (lbs)	Part #	Pcs/Pkg	Price/Pkg	Weight (lbs)
		ZL-RTB20	1	<--->	0.26	ZL-RTB40	1	<--->	0.22	ZL-RTB50	1	<--->
Description****	20-Pole Feedthrough Connector Module				40-Pole Feedthrough Connector Module				50-Pole Connector Module for interfacing SureServo I/O to a controller			
Maximum Voltage	300VAC/VDC				36VAC/VDC				0-30VDC**			
UL Voltage Rating	0-250VAC/VDC				0-30VAC/VDC**				24VDC			
Maximum Current per Circuit	2A				500mA				0.2A			
Maximum Current per Common Circuit	4A*				N/A				N/A			
Maximum Current per Module	40A (all conductors combined including commons)				32A (all conductors combined including commons)				10A			
Number of Terminal Block Positions	20				40				50			
Surrounding Temperature Range	32 to 140°F (0 to 60°C)											
Approvals	File # E200031 UL, cUL, Class 1, Division 2, Groups A,B,C,D Hazardous Locations, CE, EN 61131-2:2007											
Terminal Block Contacts	Copper alloy, tin-lead plated											
Wire Range (Rated Cross Section)***	12-24AWG Solid or Stranded Copper Conductor (2.5mm ²)											
Wire Strip Length	0.24-0.27" (6-7mm)											
Screw Torque	4.4 in-lbs (0.5 Nm)											
Connector Type	Molex Micro-Fit 3.0, 24 pin connector Example: Receptacle 43020-2400 Pins 43031 Series, Male				3M 34000 Series IDC Connector, strain relief is required to latch to header. Example: Socket 3417-7640, Strain relief 3448-3040				3M mini DELTA Ribbon (MDR), 101 Series, 50 pin Example: Plug 10150 - 3000VE, Shell 10350 - 52A0 - 008			
Connecting Cables (Sold Separately)	See Wiring Selection Guides at the beginning of this section. See Connection Cable specifications tables at the end of this section.				See Wiring Selection Guides at the beginning of this section. See Connection Cable specifications tables at the end of this section.				ZL-SVC-CBL50 (0.5m/1.6ft) ZL-SVC-CBL50-1 (1m/3.3ft) ZL-SVC-CBL50-2 (2m/6.6ft) See Connection Cable specifications tables at the end of this section.			
Dimensions (WxHxD)	2.64" x 3.42" x 2.03" (67.0mm x 86.8mm x 51.6mm)				4.48" x 1.89" x 1.84" (113.7mm x 48.1mm x 46.8mm)				5.46" x 1.89" x 1.84" (138.6mm x 48.1mm x 46.8mm)			
Cable/Wire Clearance	0.5" (12.7mm) Required											
Mounting Restrictions	None											

*The 4 common circuits are at terminal block positions 1, 6, 11, and 16. Each common circuit has 2 cable wires per terminal.

**Use Class 2 power supply

***Use conductors rated 60°/75°C

****Connecting cables are for internal wiring only.

Note: See wiring details and dimensional drawings on our Web site at:
<http://www.automationdirect.com/static/manuals/ziplinks/ziplinks.html>

Replacement Relays

Replacement relays are offered with a 24VDC coil or 120VAC coil and are for use with the ZIPLink relay modules.

Sold in packages of 4.



ZL-RELAY-24X4



ZL-RELAY-120X4



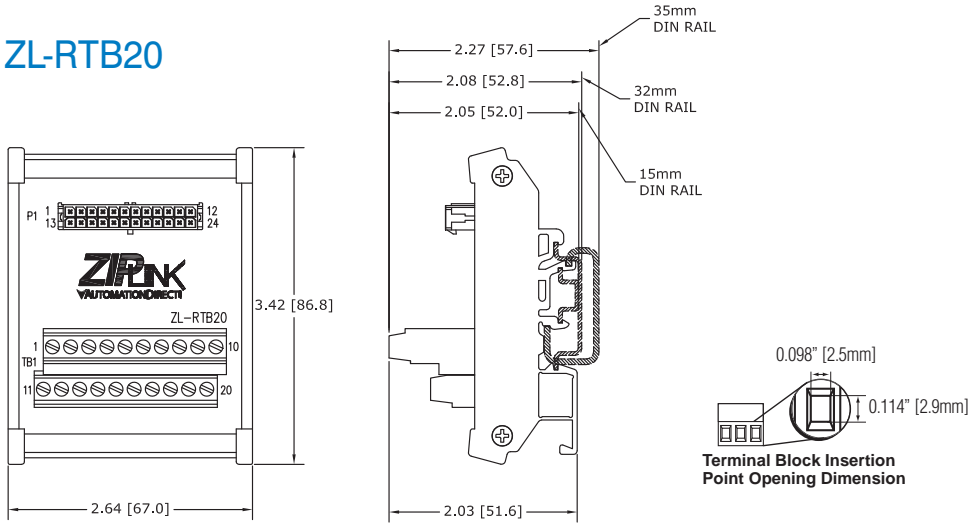
24VDC Relay Specifications			
Contact		Coil	
Current Rating	30VDC @ 10A 250VAC @ 8A General Use	Input Voltage Range	24VDC (-20%/+30%)
Contact Type	1 Form C (SPDT)	Maximum Continuous Coil Voltage	31.2VDC
Contact Voltage (per point)	250VAC/30VDC	Rated Current per Coil	16.7mA (±10%) @ 24 VDC
Maximum Power Inductive	2000VA General Use	Coil Resistance	1440Ω (±10%)
Maximum Power Resistive	AC 2000VA, DC 300W	Power Consumption per Coil	0.4W
Maximum Switching Voltage	250VAC, 110VDC	Pick Up Current Max. per Coil	15mA
Minimum Load	10mA @ 5VDC	Drop-Out Voltage Min.	1.2VDC
Contact Resistance	100mΩ Max @ 1A, 6VDC	Pick-Up Voltage Max.	19.2VDC
Contact Material	AgNi (Silver Nickel Alloy)	Off to On/On to Off Response Time	12ms/8ms
		Weight (lbs)	0.11
120VAC Relay Specifications			
Contact		Coil	
Current Rating	30VDC @ 10A 250VAC @ 8A General Use	Input Voltage Range	115VAC (-20%/+30%), 50-60Hz
Contact Type	1 Form C (SPDT)	Maximum Continuous Coil Voltage	150VAC
Contact Voltage (per point)	250VAC/30VDC	Rated Current per Coil	7.65mA (±10%) @ 115VAC 50Hz 6.30mA (±10%) @ 115VAC 60Hz
Maximum Power Inductive	2000VA General Use	Coil Resistance	8100Ω (±10%)
Maximum Power Resistive	AC 2000VA, DC 300W	Power Consumption per Coil	0.88W @ 50Hz 0.73W @ 60Hz
Maximum Switching Voltage	250VAC, 110VDC	Drop-Out Voltage Min.	34.5VAC
Minimum Load	10mA @ 5VDC	Pick-Up Voltage Max.	92VAC
Contact Resistance	100mΩ Max @ 1A, 6VDC	Off to On/On to Off Response Time	12ms/8ms
Contact Material	AgNi (Silver Nickel Alloy)	Weight (lbs)	0.11

Installation Accessories

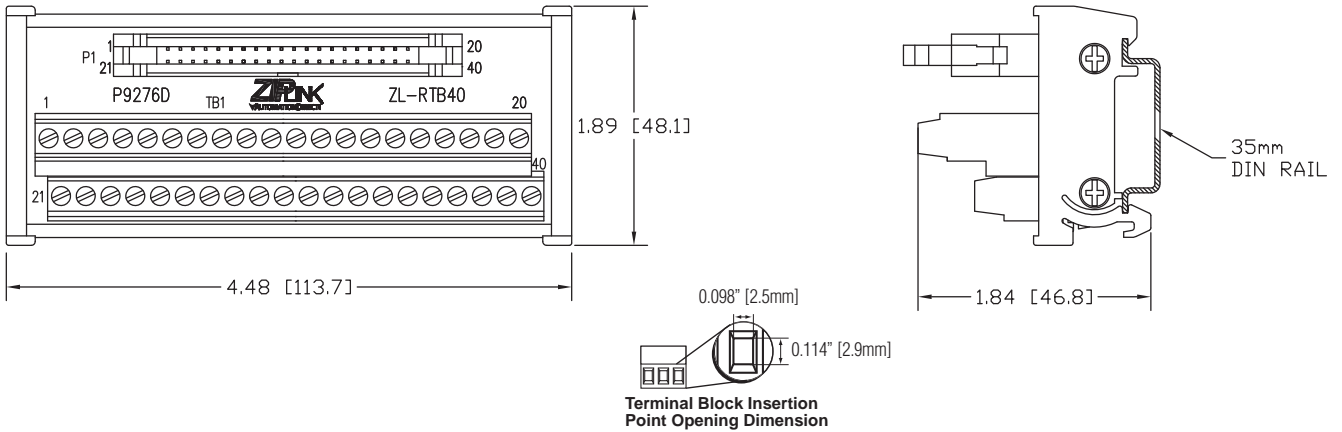
Accessories			
	Part #	Pcs/Pkg	Price/Pkg
DIN Rail	DN-R35S1	10	<--->
Angled Support Bracket	DN-ASB1	50	<--->
End Bracket	DN-EB35	50	<--->
Slotted Screwdriver	DN-SS1	1	<--->

Module Dimensions

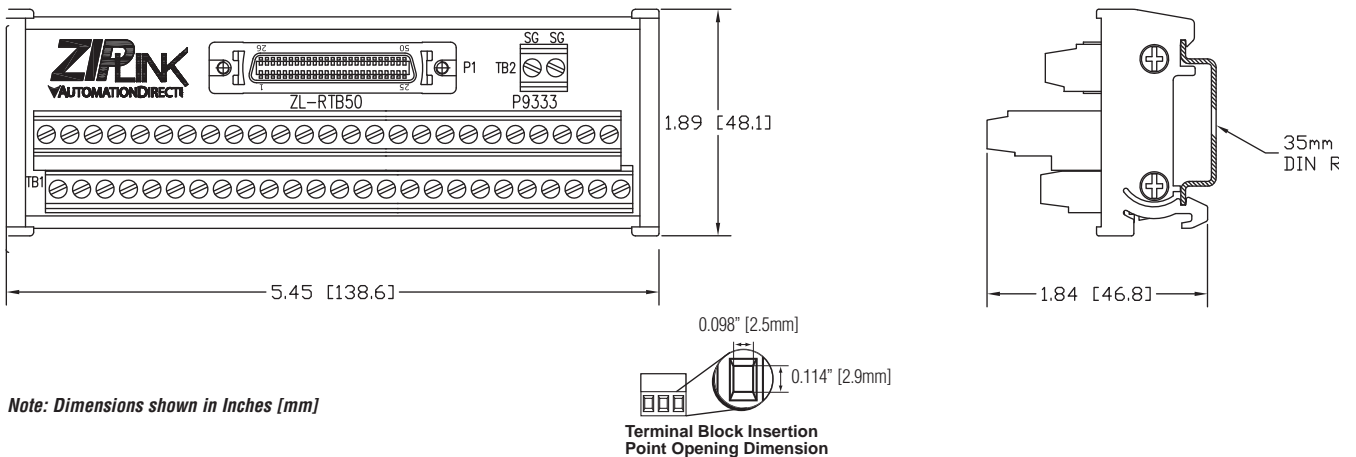
ZL-RTB20



ZL-RTB40



ZL-RTB50



Note: Dimensions shown in Inches [mm]

PLC I/O Modules to ZIPLink Connector Modules - CLICK

CLICK PLC Input Module ZIPLink Selector				
PLC		ZIPLink		
Input Module	# of Terms	Component	Module Part No.	Cable Part No.
CO-08ND3	11	Feedthrough	ZL-RTB20	ZL-CO-CBL11*
CO-08ND3-1	11	Feedthrough	ZL-RTB20	ZL-CO-CBL11*
CO-08NE3	11	Feedthrough	ZL-RTB20	ZL-CO-CBL11*
CO-08NA	11	Feedthrough	ZL-RTB20	ZL-CO-CBL11*
CO-16ND3	20	Feedthrough	ZL-RTB20	ZL-CO-CBL20*
		Sensor	ZL-LTB16-24	ZL-CO-CBL20*
CO-16NE3	20	Feedthrough	ZL-RTB20	ZL-CO-CBL20*
		Sensor	ZL-LTB16-24	ZL-CO-CBL20*

CLICK PLC Output Module ZIPLink Selector				
PLC		ZIPLink		
Output Module	# of Terms	Component	Module Part No.	Cable Part No.
CO-08TD1	11	Feedthrough	ZL-RTB20	ZL-CO-CBL11*
CO-08TD2	11	Feedthrough	ZL-RTB20	ZL-CO-CBL11*
CO-08TR	11	Feedthrough	ZL-RTB20	ZL-CO-CBL11*
CO-08TA	11	Feedthrough	ZL-RTB20	ZL-CO-CBL11*
CO-16TD1	20	Feedthrough	ZL-RTB20	ZL-CO-CBL20*
		Fuse	ZL-RFU20 ²	ZL-CO-CBL20*
		Relay (sinking)	ZL-RRL16-24-1	ZL-CO-CBL20*
CO-16TD2	20	Feedthrough	ZL-RTB20	ZL-CO-CBL20*
		Fuse	ZL-RFU20 ²	ZL-CO-CBL20*
		Relay (sourcing)	ZL-RRL16-24-2	ZL-CO-CBL20*
CO-04TRS ¹	20	Feedthrough	ZL-RTB20	ZL-CO-CBL20*

CLICK PLC Combo In/Out Module ZIPLink Selector				
PLC		ZIPLink		
Combo Module	# of Terms	Component	Module Part No.	Cable Part No.
CO-00DD1-D	20	Feedthrough	ZL-RTB20	ZL-CO-CBL20*
CO-00DD2-D	20	Feedthrough	ZL-RTB20	ZL-CO-CBL20*
CO-00DR-D	20	Feedthrough	ZL-RTB20	ZL-CO-CBL20*
CO-00AR-D	20	Feedthrough	ZL-RTB20	ZL-CO-CBL20*
CO-01DD1-D	20	Feedthrough	ZL-RTB20	ZL-CO-CBL20*
CO-01DD2-D	20	Feedthrough	ZL-RTB20	ZL-CO-CBL20*
CO-01DR-D	20	Feedthrough	ZL-RTB20	ZL-CO-CBL20*
CO-01AR-D	20	Feedthrough	ZL-RTB20	ZL-CO-CBL20*

* Select the cable length by replacing the * with: Blank = 0.5m, -1 = 1.0m, or -2 = 2.0m.

¹ Note: The CO-04TRS relay output is derated not to exceed 2A per point max. when used with the ZIPLink wiring system.

² Note: Fuses (5 x 20 mm) are not included. See Edison Electronic Fuse section for (5 x 20 mm) fuse. S500 and GMA electronic circuit protection for fast-acting maximum protection. S506 and GMC electronic circuit protection for time-delay performance. Ideal for inductive circuits. To ensure proper operation, do not exceed the voltage and current rating of ZIPLink module. ZL-RFU20 = 2A per circuit; ZL-RFU40 = 400 mA per circuit.

NOTE: ZIPLINK CONNECTOR MODULES SPECIFICATIONS FOLLOW THE COMPATIBILITY MATRIX TABLES. ZIPLINK CABLES SPECIFICATIONS ARE AT THE END OF THIS ZIPLINK SECTION.



PLC I/O Modules to ZIPLink Connector Modules - DL05/06

DL05/06 PLC Input Module ZIPLink Selector				
PLC		ZIPLink		
Input Module	# of Terms	Component	Module Part No.	Cable Part No.
D0-10ND3	13	Feedthrough	ZL-RTB20	ZL-D0-CBL13*
D0-10ND3F	13	Feedthrough	ZL-RTB20	ZL-D0-CBL13*
D0-16ND3	24	Feedthrough	ZL-RTB20	ZL-D0-CBL24*L
		Sensor	ZL-LTB16-24	ZL-D0-CBL24*L
F0-08NA-1	10	Feedthrough	ZL-RTB20	ZL-D0-CBL10*

DL05/06 PLC Combo In/Out Module ZIPLink Selector				
PLC		ZIPLink		
Combo Module	# of Terms	Component	Module Part No.	Cable Part No.
D0-07CDR	10	Feedthrough	ZL-RTB20	ZL-D0-CBL10*
D0-08CDD1	13	Feedthrough	ZL-RTB20	ZL-D0-CBL13*

DL05/06 PLC Analog Module ZIPLink Selector				
PLC		ZIPLink		
Analog Module	# of Terms	Component	Module	Cable
F0-04AD-1	8	Feedthrough	ZL-RTB20	ZL-D0-CBL8*
F0-04AD-2	8	Feedthrough	ZL-RTB20	ZL-D0-CBL8*
F0-08ADH-1	13	Feedthrough	ZL-RTB20	ZL-D0-CBL13*
F0-08ADH-2	13	Feedthrough	ZL-RTB20	ZL-D0-CBL13*
F0-04DAH-1	13	Feedthrough	ZL-RTB20	ZL-D0-CBL13*
F0-08DAH-1	13	Feedthrough	ZL-RTB20	ZL-D0-CBL13*
F0-04DAH-2	13	Feedthrough	ZL-RTB20	ZL-D0-CBL13*
F0-08DAH-2	13	Feedthrough	ZL-RTB20	ZL-D0-CBL13*
F0-2AD2DA-2	8	Feedthrough	ZL-RTB20	ZL-D0-CBL8*
F0-4AD2DA-1	8	Feedthrough	ZL-RTB20	ZL-D0-CBL8*
F0-4AD2DA-2	8	Feedthrough	ZL-RTB20	ZL-D0-CBL8*
F0-04RTD ²	Matched Only		See Note 2	
F0-04THM ²	Matched Only		See Note 2	

NOTE: ZIPLINK CONNECTOR MODULES SPECIFICATIONS FOLLOW THE COMPATIBILITY MATRIX TABLES. ZIPLINK CABLES SPECIFICATIONS ARE AT THE END OF THIS ZIPLINK SECTION.

DL05/06 PLC Output Module ZIPLink Selector				
PLC		ZIPLink		
Output Module	# of Terms	Component	Module Part No.	Cable Part No.
D0-10TD1	13	Feedthrough	ZL-RTB20	ZL-D0-CBL13*
D0-16TD1	24	Feedthrough	ZL-RTB20	ZL-D0-CBL24*
		Fuse	ZL-RFU20 ³	ZL-D0-CBL24*
		Relay (sinking)	ZL-RRL16-24-1	ZL-D0-CBL24*
D0-10TD2	13	Feedthrough	ZL-RTB20	ZL-D0-CBL13*
D0-16TD2	24	Feedthrough	ZL-RTB20	ZL-D0-CBL24*
		Fuse	ZL-RFU20 ³	ZL-D0-CBL24*
		Relay (sourcing)	ZL-RRL16-24-2	ZL-D0-CBL24*
D0-08TR	10	Feedthrough	ZL-RTB20	ZL-D0-CBL10*
F0-04TRS ¹	13	Feedthrough	ZL-RTB20	ZL-D0-CBL13*

DL05/06 PLC Fixed I/O ZIPLink Selector				
PLC		ZIPLink		
PLC	# of Terms	Component	Module Part No.	Cable Part No.
DL05	18	Feedthrough	ZL-RTB20	ZL-D05-CBL18*
DL06	20 (Input side only)	Feedthrough	ZL-RTB20	ZL-D06X-CBL20*
	20 (Output side only)	Feedthrough	ZL-RTB20	ZL-D06Y-CBL20*

* Select the cable length by replacing the * with: Blank = 0.5m, -1 = 1.0m, or -2 = 2.0m.

¹ Caution: The F0-04TRS relay outputs are derated not to exceed 2A per point when used with the ZIPLink wiring system.

² These modules are not supported by the ZIPLink wiring system.

³ Note: Fuses (5 x 20 mm) are not included. See Edison Electronic Fuse section for (5 x 20 mm) fuse. S500 and GMA electronic circuit protection for fast-acting maximum protection. S506 and GMC electronic circuit protection for time-delay performance. Ideal for inductive circuits. To ensure proper operation, do not exceed the voltage and current rating of ZIPLink module. ZL-RFU20 = 2A per circuit; ZL-RFU40 = 400 mA per circuit.



DL205 PLC Input Module ZIPLink Selector				
PLC		ZIPLink		
Input Module	# of Terms	Component	Module Part No.	Cable Part No. †
D2-08ND3	10	Feedthrough	ZL-RTB20	ZL-D2-CBL10*
D2-16ND3-2	19	Feedthrough	ZL-RTB20	ZL-D2-CBL19*
		Sensor	ZL-LTB16-24	ZL-D2-CBL19*
D2-32ND3 ¹	40	Feedthrough	ZL-RTB40	ZL-D24-CBL40*
				ZL-D24-CBL40*X
		Sensor	ZL-LTB32-24	ZL-D24-CBL40*
				ZL-D24-CBL40*X
D2-32ND3-2 ¹	40	Feedthrough	ZL-RTB40	ZL-D24-CBL40*
				ZL-D24-CBL40*X
		Sensor	ZL-LTB32-24	ZL-D24-CBL40*
				ZL-D24-CBL40*X
D2-08NA-1	10	Feedthrough	ZL-RTB20	ZL-D2-CBL10*
D2-08NA-2	10	Feedthrough	ZL-RTB20	ZL-D2-CBL10*
D2-12NA	19	Feedthrough	ZL-RTB20	ZL-D2-CBL19*

† X in the part number represents a 45° angle.

DL205 PLC Combo In/Out Module ZIPLink Selector				
PLC		ZIPLink		
Combo Module	# of Terms	Component	Module Part No.	Cable Part No.
D2-08CDR	10	Feedthrough	ZL-RTB20	ZL-D2-CBL10*

DL205 PLC Analog Module ZIPLink Selector				
PLC		ZIPLink		
Analog Module	# of Terms	Component	Module	Cable
F2-04AD-1	10	Feedthrough	ZL-RTB20	ZL-D2-CBL10*
F2-04AD-1L	10	Feedthrough	ZL-RTB20	ZL-D2-CBL10*
F2-08AD-1	10	Feedthrough	ZL-RTB20	ZL-D2-CBL10*
F2-04AD-2	10	Feedthrough	ZL-RTB20	ZL-D2-CBL10*
F2-04AD-2L	10	Feedthrough	ZL-RTB20	ZL-D2-CBL10*
F2-08AD-2	10	Feedthrough	ZL-RTB20	ZL-D2-CBL10*
F2-02DA-1	10	Feedthrough	ZL-RTB20	ZL-D2-CBL10*
F2-02DA-1L	10	Feedthrough	ZL-RTB20	ZL-D2-CBL10*
F2-02DAS-1	10	Feedthrough	ZL-RTB20	ZL-D2-CBL10*
F2-08DA-1	19	Feedthrough	ZL-RTB20	ZL-D2-CBL19*
F2-02DA-2	10	Feedthrough	ZL-RTB20	ZL-D2-CBL10*
F2-02DA-2L	10	Feedthrough	ZL-RTB20	ZL-D2-CBL10*
F2-02DAS-2	10	Feedthrough	ZL-RTB20	ZL-D2-CBL10*
F2-08DA-2	10	Feedthrough	ZL-RTB20	ZL-D2-CBL10*
F2-4AD2DA	10	Feedthrough	ZL-RTB20	ZL-D2-CBL10*
F2-8AD4DA-1	19	Feedthrough	ZL-RTB20	ZL-D2-CBL19*
F2-8AD4DA-2	19	Feedthrough	ZL-RTB20	ZL-D2-CBL19*
F2-04RTD ⁴	Matched Only		See Note 4	
F2-04THM ⁴	Matched Only		See Note 4	



DL205 PLC Output Module ZIPLink Selector				
PLC		ZIPLink		
Output Module	# of Terms	Component	Module Part No.	Cable Part No. †
D2-04TD1 ²	10	Feedthrough	ZL-RTB20	ZL-D2-CBL10*
D2-08TD1	10	Feedthrough	ZL-RTB20	ZL-D2-CBL10*
D2-08TD2	10	Feedthrough	ZL-RTB20	ZL-D2-CBL10*
D2-16TD1-2	19	Feedthrough	ZL-RTB20	ZL-D2-CBL19*
		Fuse	ZL-RFU20 ⁵	ZL-D2-CBL19*
		Relay	ZL-RRL16-24-1	ZL-D2-CBL19*
D2-16TD2-2	19	Feedthrough	ZL-RTB20	ZL-D2-CBL19*
		Fuse	ZL-RFU20	ZL-D2-CBL19*
		Relay	ZL-RRL16-24-2	ZL-D2-CBL19*
F2-16TD1P	19	Feedthrough	ZL-RTB20	ZL-D2-CBL19*
		Relay	ZL-RRL16-24-1	ZL-D2-CBL19*
F2-16TD2P	19	Feedthrough	ZL-RTB20	ZL-D2-CBL19*
		Relay	ZL-RRL16-24-2	ZL-D2-CBL19*
D2-32TD1 ¹	40	Feedthrough	ZL-RTB40	ZL-D24-CBL40*
				ZL-D24-CBL40*X
		Fuse	ZL-RFU40 ⁵	ZL-D24-CBL40*
D2-32TD2 ¹	40	Feedthrough	ZL-RTB40	ZL-D24-CBL40*
				ZL-D24-CBL40*X
		Fuse	ZL-RFU40 ⁵	ZL-D24-CBL40*
			ZL-D24-CBL40*X	
D2-08TA	10	Feedthrough	ZL-RTB20	ZL-D2-CBL10*
F2-08TA	10	Feedthrough	ZL-RTB20	ZL-D2-CBL10*
D2-12TA	19	Feedthrough	ZL-RTB20	ZL-D2-CBL19*
		Fuse	ZL-RFU20 ⁵	ZL-D2-CBL19*
D2-04TRS ³	10	Feedthrough	ZL-RTB20	ZL-D2-CBL10*
D2-08TR	10	Feedthrough	ZL-RTB20	ZL-D2-CBL10*
F2-08TRS ³	19	Feedthrough	ZL-RTB20	ZL-D2-CBL19*
F2-08TR ⁴	10	Feedthrough	ZL-RTB20	ZL-D2-CBL10*
D2-12TR	19	Feedthrough	ZL-RTB20	ZL-D2-CBL19*
		Fuse	ZL-RFU20 ⁵	ZL-D2-CBL19*

† X in the part number represents a 45° angle plug

* Select the cable length by replacing the * with: Blank = 0.5m, -1 = 1.0m, or -2 = 2.0m.

¹ To make a custom cable for the 32-point modules, use: Ribbon-style Connector ZL-D24-CON-R, Solder-style 180° connector ZL-D24-CON or Solder-style 45° connector ZL-D24-CON-X

² Caution: The D2-04TD1, D2-04TRS, and F2-08TRS outputs are derated not to exceed module specs 2A per point and 2A per common when used with the ZIPLink wiring system.

³ The F2-08TR outputs are derated not to exceed 2A per point and 4A per common when used with the ZIPLink wiring system.

⁴ The F2-04RTD and F2-04THM modules are not supported by the ZIPLink wiring system.

⁵ Note: Fuses (5 x 20 mm) are not included. See Edison Electronic Fuse section for (5 x 20 mm) fuse. S500 and GMA electronic circuit protection for fast-acting maximum protection. S506 and GMC electronic circuit protection for time-delay performance. Ideal for inductive circuits.

To ensure proper operation, do not exceed the voltage and current rating of ZIPLink module. ZL-RFU20 = 2A per circuit; ZL-RFU40 = 400 mA per circuit.



NOTE: ZIPLINK CONNECTOR MODULES SPECIFICATIONS FOLLOW THE COMPATIBILITY MATRIX TABLES. ZIPLINK CABLES SPECIFICATIONS ARE AT THE END OF THIS ZIPLINK SECTION.

PLC I/O Modules to ZIPLink Connector Modules - DL305

DL305 PLC Input Module ZIPLink Selector				
PLC		ZIPLink		
Input Module	# of Terms	Component	Module Part No.	Cable Part No.
D3-08ND2 ¹	10	See Note 1		
D3-16ND2-1	18	Feedthrough	ZL-RTB20	ZL-D3-CBL18*
D3-16ND2F	18	Feedthrough	ZL-RTB20	ZL-D3-CBL18*
D3-16ND3F	18	Feedthrough	ZL-RTB20	ZL-D3-CBL18*
D3-08NA-1 ¹	10	See Note 1		
D3-08NA-2 ¹	10	See Note 1		
D3-16NA	18	Feedthrough	ZL-RTB20	ZL-D3-CBL18*
D3-08NE3 ¹	10	See Note 1		
D3-16NE3	18	Feedthrough	ZL-RTB20	ZL-D3-CBL18*
		Sensor	ZL-LTB16-24	ZL-D3-CBL18*

DL305 PLC Analog Module ZIPLink Selector				
PLC		ZIPLink		
Analog Module	# of Terms	Component	Module	Cable
F3-04ADS	18	Feedthrough	ZL-RTB20	ZL-D3-CBL18*
F3-08AD-1	18	Feedthrough	ZL-RTB20	ZL-D3-CBL18*
F3-16AD	18	Feedthrough	ZL-RTB20	ZL-D3-CBL18*
F3-04DA-1	18	Feedthrough	ZL-RTB20	ZL-D3-CBL18*
F3-04DAS	18	Feedthrough	ZL-RTB20	ZL-D3-CBL18*
F3-08THM-J ³	T/C Wire Only	See Note 3		
F3-08THM-K ³	T/C Wire Only	See Note 3		



NOTE: ZIPLINK CONNECTOR MODULES SPECIFICATIONS FOLLOW THE COMPATIBILITY MATRIX TABLES. ZIPLINK CABLES SPECIFICATIONS ARE AT THE END OF THIS ZIPLINK SECTION.



DL305 PLC Output Module ZIPLink Selector				
PLC		ZIPLink		
Output Module	# of Terms	Component	Module Part No.	Cable Part No.
D3-04TD1 ¹	10	See Note 1		
D3-08TD1 ¹	10	See Note 1		
D3-08TD2 ¹	10	See Note 1		
D3-16TD1-1	18	Feedthrough	ZL-RTB20	ZL-D3-CBL18*
		Fuse	ZL-RFU20 ⁴	ZL-D3-CBL18*
		Relay (sinking)	ZL-RRL16-24-1	ZL-D3-CBL18*
D3-16TD2	18	Feedthrough	ZL-RTB20	ZL-D3-CBL18*
		Fuse	ZL-RFU20 ⁴	ZL-D3-CBL18*
		Relay (sourcing)	ZL-RRL16-24-2	ZL-D3-CBL18*
D3-04TAS ¹	10	See Note 1		
F3-08TAS-1	18	Feedthrough	ZL-RTB20	ZL-D3-CBL18*
D3-08TA-1	18	Feedthrough	ZL-RTB20	ZL-D3-CBL18*
D3-08TA-2 ¹	10	See Note 1		
F3-16TA-2	18	Feedthrough	ZL-RTB20	ZL-D3-CBL18*
		Fuse	ZL-RFU20 ⁴	ZL-D3-CBL18*
D3-16TA-2	18	Feedthrough	ZL-RTB20	ZL-D3-CBL18*
		Fuse	ZL-RFU20 ⁴	ZL-D3-CBL18*
D3-08TR ¹	10	See Note 1		
D3-16TR ²	18	Feedthrough	ZL-RTB20	ZL-D3-CBL18*
		Fuse	ZL-RFU20 ⁴	ZL-D3-CBL18*
F3-08TRS-1 ²	18	Feedthrough	ZL-RTB20	ZL-D3-CBL18*
F3-08TRS-2 ²	18	Feedthrough	ZL-RTB20	ZL-D3-CBL18*

* Select the cable length by replacing the * with: Blank = 0.5m, -1 = 1.0m, or -2 = 2.0m.

¹ These I/O modules have non-removable terminal blocks which can be terminated using the ZL-CBL24-1P or 2P pigtail cable and the ZL-RTB20 module of the ZIPLink wiring system.

² Caution: The D3-16TR, F3-08TRS-1 and F3-08TRS-2 relay outputs are derated not to exceed 2A per point and 4A per common when used with the ZIPLink wiring system.

³ The F3-08THM-J and F3-08THM-K modules are not supported by the ZIPLink wiring system.

⁴ Note: Fuses (5 x 20 mm) are not included. See Edison Electronic Fuse section for (5 x 20 mm) fuse. S500 and GMA electronic circuit protection for fast-acting maximum protection. S506 and GMC electronic circuit protection for time-delay performance. Ideal for inductive circuits.

To ensure proper operation, do not exceed the voltage and current rating of ZIPLink module. ZL-RFU20 = 2A per circuit; ZL-RFU40 = 400 mA per circuit.

PLC I/O Modules to ZIPLink Connector Modules - DL405

DL405 PLC Input Module ZIPLink Selector				
PLC		ZIPLink		
Input Module	# of Terms	Component	Module Part No.	Cable Part No.
D4-08ND3S	20	Feedthrough	ZL-RTB20	ZL-D4-CBL20*
D4-16ND2	20	Feedthrough	ZL-RTB20	ZL-D4-CBL20*
		Sensor	ZL-LTB16-24	ZL-D4-CBL20*
D4-16ND2F	20	Feedthrough	ZL-RTB20	ZL-D4-CBL20*
		Sensor	ZL-LTB16-24	ZL-D4-CBL20*
D4-32ND3-1 ²	40	Feedthrough	ZL-RTB40	ZL-D24-CBL40* ZL-D24-CBL40*X
		Sensor	ZL-LTB32-24	ZL-D24-CBL40*X
D4-32ND3-2 ²	40	Feedthrough	ZL-RTB40	ZL-D24-CBL40* ZL-D24-CBL40*X
		Sensor	ZL-LTB32-24	ZL-D24-CBL40*X
D4-64ND2 ¹	40	Feedthrough	ZL-RTB40	ZL-D24-CBL40* ZL-D24-CBL40*X
		Sensor	ZL-LTB32-24	ZL-D24-CBL40*X
D4-08NA ³	11	See Note 3		
D4-16NA	20	Feedthrough	ZL-RTB20	ZL-D4-CBL20*
D4-16NA-1	20	Feedthrough	ZL-RTB20	ZL-D4-CBL20*
D4-16NE3	20	Feedthrough	ZL-RTB20	ZL-D4-CBL20*
		Sensor	ZL-LTB16-24	ZL-D4-CBL20*
F4-08NE3S	20	Feedthrough	ZL-RTB20	ZL-D4-CBL20*

DL405 PLC Analog Module ZIPLink Selector				
PLC		ZIPLink		
Analog Module	# of Terms	Component	Module	Cable
F4-04AD	20	Feedthrough	ZL-RTB20	ZL-D4-CBL20*
F4-04ADS	20	Feedthrough	ZL-RTB20	ZL-D4-CBL20*
F4-08AD	20	Feedthrough	ZL-RTB20	ZL-D4-CBL20*
F4-16AD-1	20	Feedthrough	ZL-RTB20	ZL-D4-CBL20*
F4-16AD-2	20	Feedthrough	ZL-RTB20	ZL-D4-CBL20*
F4-04DA-1	20	Feedthrough	ZL-RTB20	ZL-D4-CBL20*
F4-04DA-2	20	Feedthrough	ZL-RTB20	ZL-D4-CBL20*
F4-08DA-1	20	Feedthrough	ZL-RTB20	ZL-D4-CBL20*
F4-16DA-1	20	Feedthrough	ZL-RTB20	ZL-D4-CBL20*
F4-08DA-2	20	Feedthrough	ZL-RTB20	ZL-D4-CBL20*
F4-16DA-2	20	Feedthrough	ZL-RTB20	ZL-D4-CBL20*
F4-04DAS-1	20	Feedthrough	ZL-RTB20	ZL-D4-CBL20*
F4-04DAS-2	20	Feedthrough	ZL-RTB20	ZL-D4-CBL20*
F4-08THM ³	T/C Wire Only	See Note 3		
F4-08THM-n ³	T/C Wire Only	See Note 3		
F4-08RTD ³	T/C Wire Only	See Note 3		

DL405 PLC Output Module ZIPLink Selector				
PLC		ZIPLink		
Output Module	# of Terms	Component	Module Part No.	Cable Part No.
D4-08TD1 ³	11	See Note 3		
F4-08TD1S ³	20	See Note 3		
D4-16TD1	20	Feedthrough	ZL-RTB20	ZL-D4-CBL20*
		Fuse	ZL-RFU20 ⁶	ZL-D4-CBL20*
D4-16TD2	20	Feedthrough	ZL-RTB20	ZL-D4-CBL20*
		Fuse	ZL-RFU20 ⁶	ZL-D4-CBL20*
D4-32TD1 ²	40	Feedthrough	ZL-RTB40	ZL-D24-CBL40* ZL-D24-CBL40*X
		Fuse	ZL-RFU40 ⁶	ZL-D24-CBL40*X
D4-32TD1-1	40	Feedthrough	ZL-RTB40	ZL-D24-CBL40* ZL-D24-CBL40*X
		Fuse	ZL-RFU40 ⁶	ZL-D24-CBL40*X
D4-32TD2 ²	40	Feedthrough	ZL-RTB40	ZL-D24-CBL40* ZL-D24-CBL40*X
		Fuse	ZL-RFU40 ⁶	ZL-D24-CBL40*X
D4-64TD1 ¹	40	Feedthrough	ZL-RTB40	ZL-D24-CBL40* ZL-D24-CBL40*X
		Fuse	ZL-RFU40 ⁶	ZL-D24-CBL40*X
D4-08TA ³	11	See Note 3		
D4-16TA	20	Feedthrough	ZL-RTB20	ZL-D4-CBL20*
		Fuse	ZL-RFU20 ⁶	ZL-D4-CBL20*
D4-08TR ³	11	See Note 3		
F4-08TRS-1 ⁵	20	Feedthrough	ZL-RTB20	ZL-D4-CBL20*
F4-08TRS-2 ⁵	20	Feedthrough	ZL-RTB20	ZL-D4-CBL20*
D4-16TR ⁴	20	Feedthrough	ZL-RTB20	ZL-D4-CBL20*
		Fuse	ZL-RFU20 ⁶	ZL-D4-CBL20*

* Select the cable length by replacing the * with: Blank = 0.5m, -1 = 1.0m, or -2 = 2.0m.

¹The D4-64ND2 and D4-64TD1 modules have two 32-point connectors and require two ZIPLink cables and two ZIPLink connector modules.

²To make a custom cable for the 32 or 64-point modules, use: Ribbon-style Connector ZL-D24-CON-R, Solder-style 180° connector ZL-D24-CON or Solder-style 45° connector ZL-D24-CON-X

³These modules are not supported by the ZIPLink wiring system.

⁴Caution: The D4-16TR reley outputs are derated not to exceed 2 Amps per point and 4 Amps per common when used with the ZIPLink wiring system.

⁵The F4-08TRS-1 and F4-08TRS-2 are derated not to exceed 2 Amps per point and 2 Amps per common when used with the ZIPLink wiring system.

⁶Note: Fuses (5 x 20 mm) are not included. See Edison Electronic Fuse section for (5 x 20 mm) fuse. S506 and GMC electronic circuit protection for fast-acting maximum protection. S506 and GMC electronic circuit protection for time-delay performance. Ideal for inductive circuits. To ensure proper operation, do not exceed the voltage and current rating of ZIPLink module. ZL-RFU20 = 2A per circuit; ZL-RFU40 = 400 mA per circuit.



NOTE: ZIPLINK CONNECTOR MODULES SPECIFICATIONS FOLLOW THE COMPATIBILITY MATRIX TABLES. ZIPLINK CABLES SPECIFICATIONS ARE AT THE END OF THIS ZIPLINK SECTION.

PAC I/O Modules to ZIPLink Connector Modules - Productivity3000

Productivity3000 PAC Input Module ZIPLink Selector				
PLC		ZIPLink		
Input Module	# of Terms	Component	Module Part No.	Cable Part No.
P3-08NAS	20	Feedthrough	ZL-RTB20	ZL-P3-CBL20*
P3-08ND3S	20	Feedthrough	ZL-RTB20	ZL-P3-CBL20*
P3-16NA	20	Feedthrough	ZL-RTB20	ZL-P3-CBL20-*L
P3-16ND3	20	Feedthrough	ZL-RTB20	ZL-P3-CBL20-*L
		Sensor	ZL-LTB16-24	ZL-P3-CBL20-*L
P3-32ND3	40	Feedthrough	ZL-RTB40	ZL-CBL40*
		Sensor	ZL-LTB32-24	ZL-CBL40*
P3-64ND3 ¹	40	Feedthrough	ZL-RTB40	ZL-CBL40*
		Sensor	ZL-LTB32-24	ZL-CBL40*

Productivity3000 PAC Analog In Module ZIPLink Selector				
PLC		ZIPLink		
Analog Module	# of Terms	Component	Module	Cable
P3-04ADS	20	Feedthrough	ZL-RTB20	ZL-P3-CBL20-*L
P3-08AD	20	Feedthrough	ZL-RTB20	ZL-P3-CBL20-*L
P3-16AD-1	20	Feedthrough	ZL-RTB20	ZL-P3-CBL20-*L
P3-16AD-2	20	Feedthrough	ZL-RTB20	ZL-P3-CBL20-*L
P2-08RTD ²	Matched Only	See Note 2		
P3-08THM ²	T/C Wire Only	See Note 2		
P3-04DA	20	Feedthrough	ZL-RTB20	ZL-P3-CBL20-*L
P3-08DA-1	20	Feedthrough	ZL-RTB20	ZL-P3-CBL20-*L
P3-08DA-2	20	Feedthrough	ZL-RTB20	ZL-P3-CBL20-*L
P3-06DAS-1	20	Feedthrough	ZL-RTB20	ZL-P3-CBL20-*L
P3-06DAS-2	20	Feedthrough	ZL-RTB20	ZL-P3-CBL20-*L
P3-16DA-1	20	Feedthrough	ZL-RTB20	ZL-P3-CBL20-*L
P3-16DA-2	20	Feedthrough	ZL-RTB20	ZL-P3-CBL20-*L
P3-8AD4DA-1	20	Feedthrough	ZL-RTB20	ZL-P3-CBL20-*L
P3-8AD4DA-2	20	Feedthrough	ZL-RTB20	ZL-P3-CBL20-*L



NOTE: ZIPLINK CONNECTOR MODULES SPECIFICATIONS FOLLOW THE COMPATIBILITY MATRIX TABLES. ZIPLINK CABLES SPECIFICATIONS ARE AT THE END OF THIS ZIPLINK SECTION.

Productivity3000 PAC Output Module ZIPLink Selector				
PLC		ZIPLink		
Output Module	# of Terms	Component	Module Part No.	Cable Part No.
P3-08TAS	20	Feedthrough	ZL-RTB20	ZL-P3-CBL20*
P3-08TD1S	20	Feedthrough	ZL-RTB20	ZL-P3-CBL20-*L
P3-08TD2S	20	Feedthrough	ZL-RTB20	ZL-P3-CBL20-*L
P3-08TRS	20	Feedthrough	ZL-RTB20	ZL-P3-CBL20*
P3-16TA	20	Feedthrough	ZL-RTB20	ZL-P3-CBL20*
		Fuse	ZL-RFU20	ZL-P3-CBL20*
P3-16TD1	20	Feedthrough	ZL-RTB20	ZL-P3-CBL20*
		Fuse	ZL-RFU20 ⁴	ZL-P3-CBL20*
		Relay (sinking)	ZL-RRL16-24-1	ZL-P3-CBL20*
P3-16TD2	20	Feedthrough	ZL-RTB20	ZL-P3-CBL20*
		Fuse	ZL-RFU20 ⁴	ZL-P3-CBL20*
		Relay (sourcing)	ZL-RRL16-24-2	ZL-P3-CBL20
P3-16TR	20	Feedthrough	ZL-RTB20	ZL-P3-CBL20*
		Fuse	ZL-RFU20 ⁴	ZL-P3-CBL20*
P3-08TRS-1 ³	20	Feedthrough	ZL-RTB20	ZL-P3-CBL20*
		Fuse	ZL-RFU20 ⁴	ZL-P3-CBL20*
P3-32TD1	40	Feedthrough	ZL-RTB40	ZL-CBL40*
		Fuse	ZL-RFU40 ⁴	ZL-CBL40*
P3-32TD2	40	Feedthrough	ZL-RTB40	ZL-CBL40*
		Fuse	ZL-RFU40 ⁴	ZL-CBL40*
P3-64TD1 ¹	40	Feedthrough	ZL-RTB40	ZL-CBL40*
		Fuse	ZL-RFU40 ⁴	ZL-CBL40*
P3-64TD2 ¹	40	Feedthrough	ZL-RTB40	ZL-CBL40*
		Fuse	ZL-RFU40 ⁴	ZL-CBL40*

* Select the cable length by replacing the * with: Blank = 0.5m, -1 = 1.0m, or -2 = 2.0m.

¹ The P3-64ND3, P3-64TD1 and P3-64TD2 modules have two 32-point connectors and require two ZIPLink cables and two ZIPLink connector modules.

² These modules are not supported by the ZIPLink wiring system.

³ The P3-08TRS-1 output module is derated not to exceed 2A per point maximum when used with the ZIPLink wiring system.

⁴ Note: Fuses (5 x 20 mm) are not included. See Edison Electronic Fuse section for (5 x 20 mm) fuse. S500 and GMA electronic circuit protection for fast-acting maximum protection. S506 and GMC electronic circuit protection for time-delay performance. Ideal for inductive circuits.

To ensure proper operation, do not exceed the voltage and current rating of ZIPLink module. ZL-RFU20 = 2A per circuit; ZL-RFU40 = 400 mA per circuit.



Connector Modules to 3rd Party Devices

ZIPLink Connector Modules to 3rd Party Devices Selector			
ZIPLink			
Module	Type	Module Part No.	Pigtail Cable Part No. (optional)
Feedthrough Connector	24-pin to Terminal Blocks	ZL-RTB20	ZL-CBL24-1P
			ZL-CBL24-2P
	40-pin to Terminal Blocks	ZL-RTB40	ZL-CBL40-1P
			ZL-CBL40-2P
	50-pin to Terminal Blocks	ZL-RTB50	ZL-CBL50-1P
			ZL-CBL50-2P
Fuse	16-Fuse, 24-pin	ZL-RFU20	ZL-CBL24-1P
			ZL-CBL24-2P
	32-Fuse, 40-pin	ZL-RFU40	ZL-CBL40-1P
			ZL-CBL40-2P
24VDC Powered Relay	16-Relay, Sinking, 24-pin	ZL-RRL16-24-1	ZL-CBL24-1P
			ZL-CBL24-2P
	16-Relay, Sourcing, 24-pin	ZL-RRL16-24-2	ZL-CBL24-1P
			ZL-CBL24-2P
Sensor Input	16-Point with LEDs	ZL-LTB16-24	ZL-CBL24-1P
			ZL-CBL24-2P
	32-Point with LEDs	ZL-LTB32-24	ZL-CBL40-1P
			ZL-CBL40-2P
D-Sub Feedthrough	9-pin D-Sub to Terminal Block	ZL-RTB-DB09	ZL-DB9F-CBL-2P
			ZL-DB9F-CBL-5P

