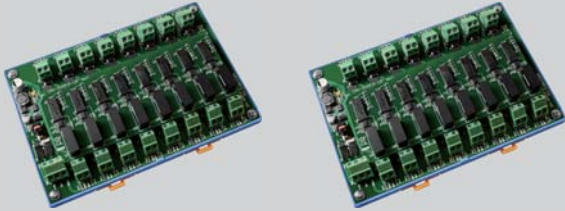


7.2. Voltage Attenuator

NEW



DN-843V-600V



DN-848VI-80V DN-848VI-150V

Features

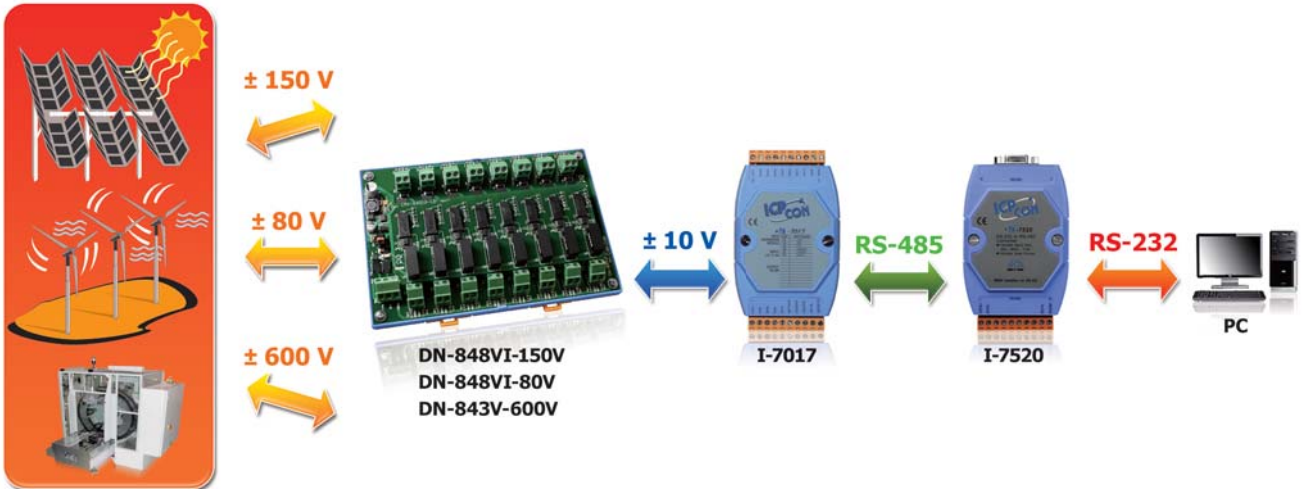
- AC/DC Source Input
- High Voltage Input Measurement
- Linear Attenuation Ratio
- High Input Impedance
- Channel to Channel Isolation for DN-848VI-80V and DN-848VI-150V
- 4 kV ESD Protection
- 3 kV Surge Protection
- RoHS Compliance
- Operating Temperature: -25 °C ~ +75 °C
- Easily wire connection



Introduction

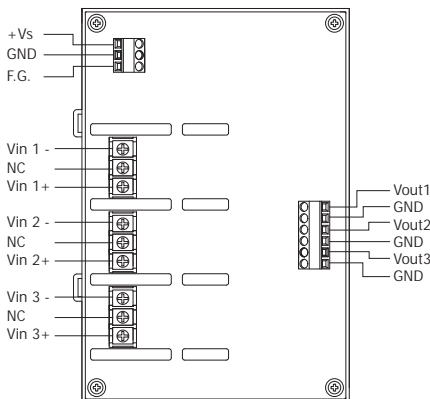
The DN-800V series are voltage input attenuator. The maximum input range is from ± 80 V to ± 600 V and can be attenuated to ± 10 V. The "I" version provide 3000VDC intra-modules isolation and 3000VDC channel to channel isolation to avoid the noise interference from inputs to outputs or channel to channel. It can be used with the analog input modules such as I-7017 and I-87017 etc. to measure the high voltage.

Applications

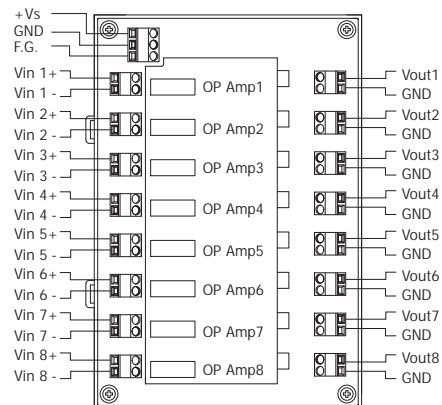


Appearance

DN-843V-600V



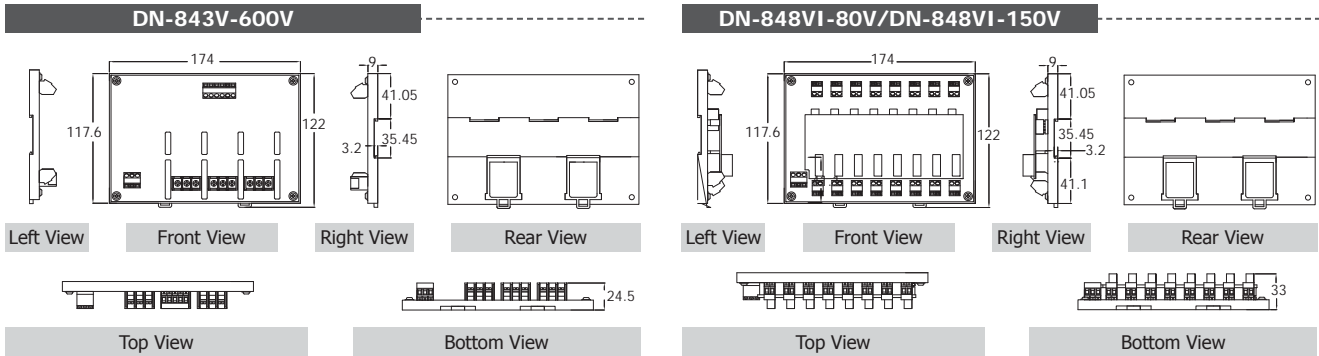
DN-848VI-80V/DN-848VI-150V



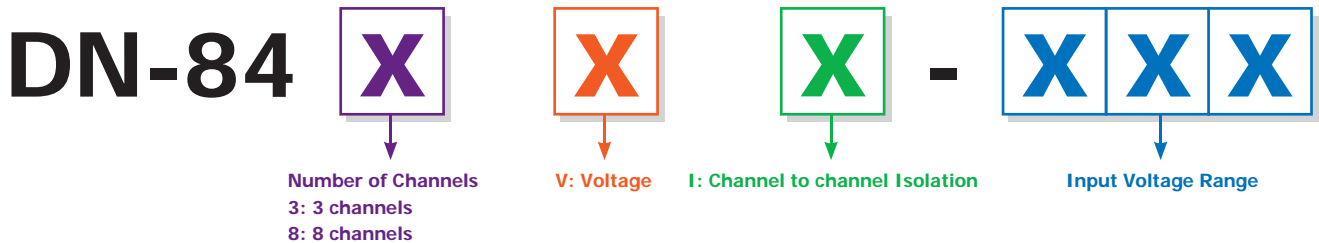
Specifications

Models	DN-848VI-80V	DN-848VI-150V	DN-843V-600V
General			
Channel	8	8	3
Input Type	AC/DC Voltage		
Input Range	+/- 80 V _{pp}	+/- 150 V _{pp}	+/- 600 V _{pp}
Output Range	+/- 10 V _{pp}		
Accuracy	1% of FSR		
Channel to Channel Isolation	Yes, 3000 V _{dc}		-
Bandwidth	30 KHz		100 KHz
Input Impedance	> 1 MΩ		
Intra-module Isolation, Input to Output	3000 V _{dc}		-
EMS Protection			
ESD (IEC 61000-4-2)	+/- 4 kV contact for power line, input and output channels , +/- 8 kV air for random point		
Surge (IEC 61000-4-5)	+/- 3 kV for power liner		
Power Input			
Input Range	+10 ~ +30 V _{dc}		
Power Consumption	9.2 W	9.2 W	0.56 W
Mechanical			
Dimensions (W x L x H)	122 mm x 174 mm x 33 mm		122 mm x 174 mm x 24.5 mm
Installation	DIN-Rail Mounting		
Environment			
Operating Temperature	-25 ~ + 75 °C		
Storage Temperature	-30 ~ +75 °C		
Humidity	10 ~ 90% RH (non-condensing)		

Dimensions (Units: mm)



Selection Guide



Ordering Information

DN-848VI-80V CR	8-channel 80 V Voltage Attenuator (RoHS)
DN-848VI-150V CR	8-channel 150 V Voltage Attenuator (RoHS)
DN-843V-600V CR	3-channel 600 V Voltage Attenuator (RoHS)

Accessories

MDR-20-24 CR	24 V/1 A, 24 W Power Supply with DIN-Rail Mounting (RoHS)
I-7017-G CR	8-channel Analog Input Module (RoHS)
I-87017-G CR	8-channel Analog Input Module (RoHS)