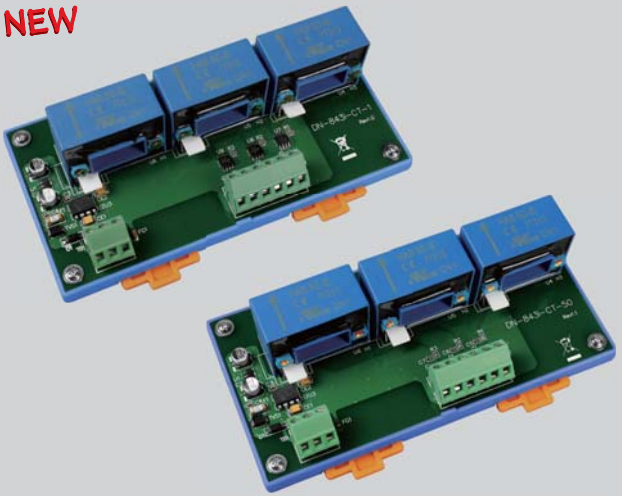


7.3. Current Transformer

NEW



DN-843I-CT-1 DN-843I-CT-50

Features

- AC/DC Source Input
- Linear Attenuation Ratio
- High Current Input Measurement
- Isolation Input
- Channel to Channel Isolation
- 4 kV ESD Protection
- RoHS Compliance
- Operating Temperature: -25 °C ~ +75 °C
- Easily wire connection



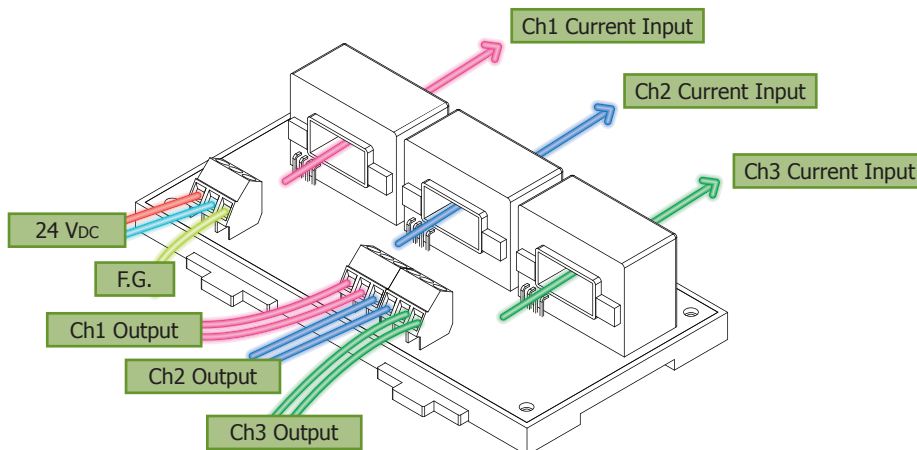
Introduction

The DN-800I series are current input sensor. The maximum input range is from ± 1 A to ± 50 A and can be attenuated to ± 4 V. The "I" version provide 3000VDC intra-modules isolation and 3000VDC channel to channel isolation to avoid the noise interference from inputs to outputs or channel to channel. It can be used with the analog input modules such as I-7017 and I-7520 etc. to measure the high current.

Applications



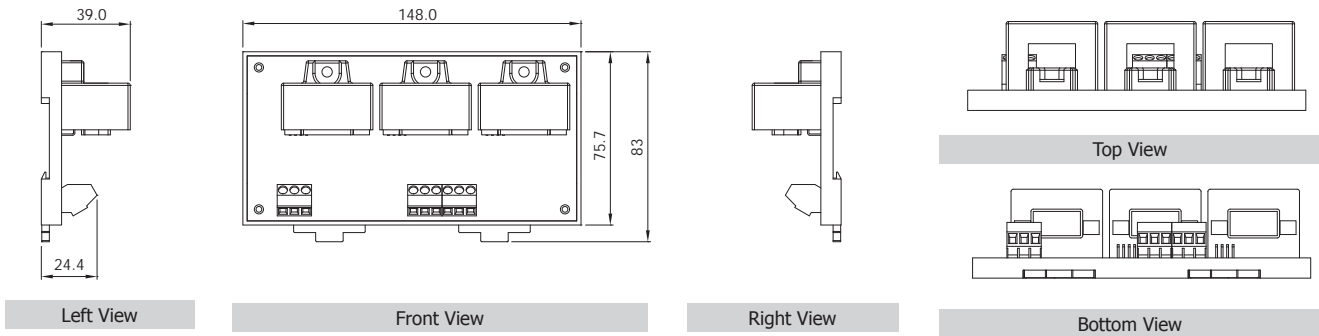
Installation



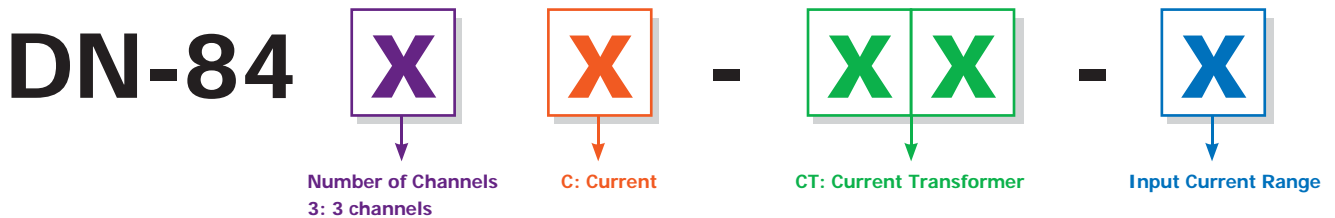
Specifications

Models	DN-843I-CT-1	DN-843I-CT-50
General		
Channel	3	
Input Type	AC/DC Current	
Input Range	+/- 1 A	+/- 50 A
Output Type	AC/DC Voltage	
Output Range	+/- 4 V _{pp}	
CT Type	Solid Core (closed)	
Accuracy	1% of FSR	
Chanel to Channel Isolation	Yes, 3000 V _{rms}	
Intra-module Isolation, Input to Output	3000 V _{dc}	
Bandwidth	50 KHz	
Input Impedance	> 1 MΩ	
EMS Protection		
ESD (IEC 61000-4-2)	+/- 4 kV contact for power line, input and output channels, +/- 8 kV air for random point	
Power Input		
Input Range	+10 ~ +24 V _{dc}	
Power Consumption	1.2 W	
Mechanical		
Dimensions (W x L x H)	148 mm x 83 mm x 39 mm	
Installation	DIN-Rail Mounting	
Environment		
Operating Temperature	-25 ~ + 75 °C	
Storage Temperature	-30 ~ +75 °C	
Humidity	10 ~ 90% RH (non-condensing)	

Dimensions (Units: mm)



Selection Guide



Ordering Information

DN-843I-CT-1 CR	3-channel 1 A Current Transformer (RoHS)
DN-843I-CT-50 CR	3-channel 50 A Current Transformer (RoHS)

Accessories

MDR-20-24 CR	24 V/1 A, 24 W Power Supply with DIN-Rail Mounting (RoHS)
I-7017-G CR	8-channel Analog Input Module (RoHS)
I-87017-G CR	8-channel Analog Input Module (RoHS)