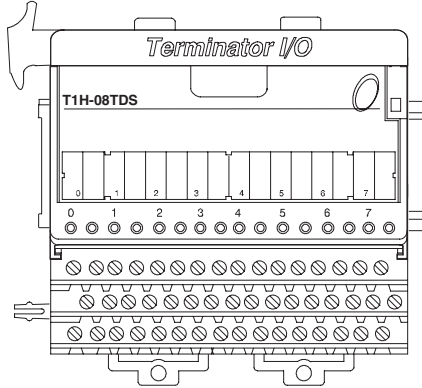


DC Output Modules

T1H-08TDS <--->

8-point isolated DC output module with electronic over current protection

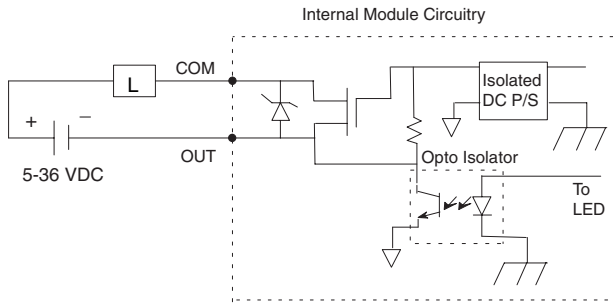
The 8-point DC module uses a T1K-16B or T1K-16B-1 base, which is purchased separately.



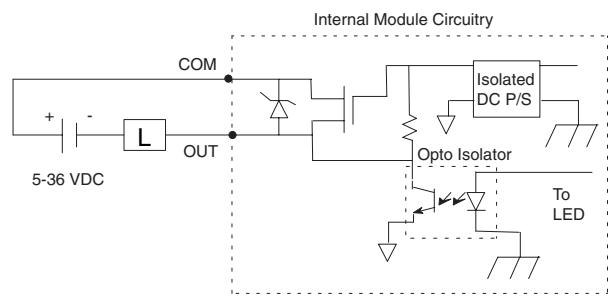
Module Specifications	T1H-08TDS
Outputs Per Module	8 (isolated, sink/source)
Commons	8 (isolated)
Operating Voltage Range	5-36 VDC
Max. Voltage	36 VDC
Output Clamp Voltage	40 VDC
Max. Load Current	2A per point, 16 A per module
Electronic Over Current Protection	Output trips at 6A min., 12 A max.
Max. Load Voltage	36 VDC
Max. Leakage Current	75 μ A
Max. ON State Voltage Drop	0.3 V at 2A, 0.15 V at 1A
Inrush Current	5A for 20 ms
OFF to ON Response	<3 μ sec
ON TO OFF Response	<100 μ sec
Base Power Required	200 mA
External Power Required	None (Output FET gates driven internally)
Thermal Shutdown	Between Tjunction = 302-374°F (150-190°C)
Overtemperature Reset	Thermal shutdown temp. minus 5°F (15°C)
Status Indicators	Logic side
Weight	93.6 g

Equivalent Output Circuit

Sinking (Low Side Switching)



Sourcing (High Side Switching)



T1K-08TDS
Derating Chart

