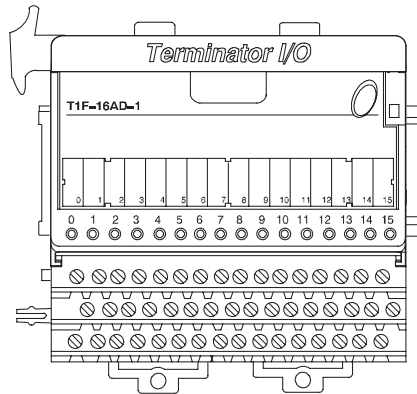


# Analog Current Input Module

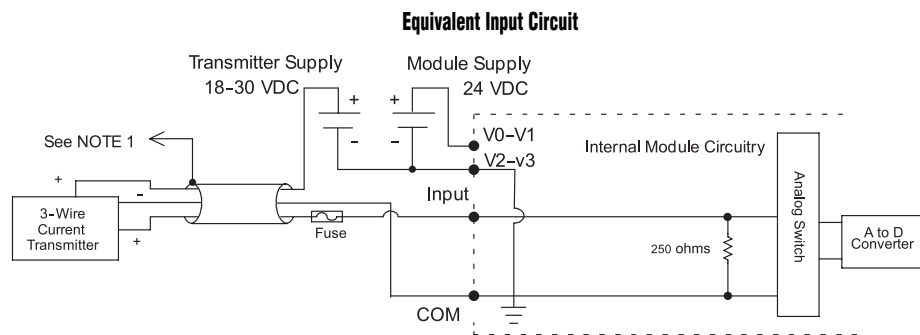
T1F-16AD-1 <--->

## 16-channel analog current input module

The 16-channel current input module uses a T1K-16B or T1K-16B-1 base, which is purchased separately.



T1F-16AD-1 Analog Input Specification	
<b>Number of Channels</b>	16, single ended (1 common)
<b>Input Ranges</b>	-20 to 20 mA, 0-20 mA, 4-20 mA
<b>Resolution</b>	14 bit (13 bit plus sign bit)
<b>Frequency Response</b>	-3 db @ 500 Hz, -20 db/decade
<b>Input Resistance</b>	250 $\Omega$
<b>Absolute Max. Ratings</b>	8V max. input
<b>Conversion Time</b>	5 ms per channel
<b>Linearity Error</b>	$\pm 2$ counts max.
<b>Input Stability</b>	$\pm 1$ count
<b>Full Scale Error (Offset Error not included)</b>	16 counts max.
<b>Offset Error</b>	2 counts max.
<b>Max. Full Scale Inaccuracy (% of full scale). All errors included</b>	0.18% @ 25°C 0.36% @ 60°C
<b>Master Update Rate</b>	16 channels per scan max.
<b>Input Points Required</b>	512 discrete pts. or 16 Dwords (32-bit words)(network interface dependent)
<b>Base Power Required</b>	75 mA @ 5 VDC
<b>External Module Power Required</b>	21.6-26.4 VDC, 50 mA, class 2
<b>Recommended Fuse</b>	0.032 A, Series 217 fast acting
<b>Weight</b>	168 g



**NOTES:**

- 1: Shields should be grounded at the signal source.
- 2: More than one external power supply can be used, provided all the power supply commons are connected.
- 3: A Series 217, 0.032 A fast-acting fuse is recommended for 4-20 mA current loops.
- 4: If the power supply common of an external power supply is not connected to the 0V terminal on the module, then the output of the external transmitter must be isolated. To avoid "ground loop" errors, recommended 4-20 mA transmitter types are:
  - For 2 or 3 wire connections: Isolation between the input supply signal and the power supply.
  - For 4 wire connections: Isolation between the input supply signal, the power supply and the 4-20 mA output.

- PLC Overview
- DL05/06 PLC
- DL105 PLC
- DL205 PLC
- DL305 PLC
- DL405 PLC
- Field I/O**
- Software
- C-more HMIs
- Other HMI
- AC Drives
- Motors
- Steppers/Servos
- Motor Controls
- Proximity Sensors
- Photo Sensors
- Limit Switches
- Encoders
- Pushbuttons/Lights
- Process
- Relays/Timers
- Comm.
- TB's & Wiring
- Power
- Enclosures
- Appendix
- Part Index